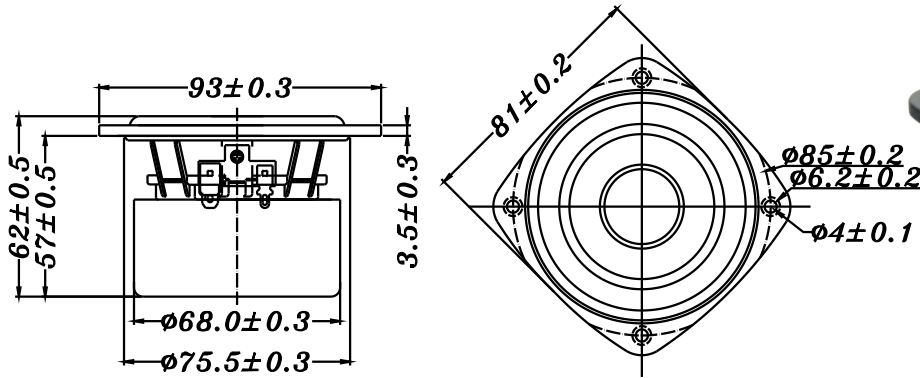


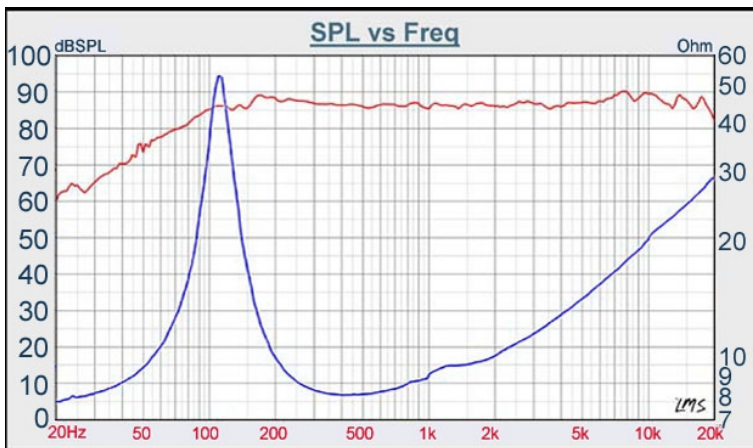
F SERIES

W3-582SC



- FULL RANGE FREQUENCY RESPONSE
- DIE CAST BASKET
- PPM CONE WITH SANTOPRENE SURROUND
- MAGNETICALLY SHIELDED
- CCAW WITH KAPTON BOBBIN

3" PPM CONE/ FULL RANGE



DIAPHRAGM MTL	Natural Color PPM
SURROUND MTL	Santoprene
NOMINAL IMPEDANCE	8 Ω
DCR IMPEDANCE	6.6 Ω
SENSITIVITY 1W/1m	86 dB
FREQUENCY RESPONSE	100-18K Hz
FREE AIR RESONANCE	100 Hz
VOICE COIL DIAMETER	20.4 mm
AIR GAP HEIGHT	6 mm
RATED POWER INPUT	12 W
MAXIMUM POWER INPUT	25 W
FORCE FACTOR, BL	3.47 TM
TYPE OF MAGNET	Ferrite
MOVING MASS	1.97 g
FERROFLUID ENHANCED	No
SUSPENSION COMPLIANCE	1069 μMN^{-1}
EFFECTIVE PISTON AREA	0.0032 M^2
Levc	0.176 mH
Zo	53.43 Ω
X-max	0.2 mm
Vas	1.55 Litr
Qts	0.65
Qms	5.29
Qes	0.75

TB SPEAKERS

VOICE:886.2.26570282 FAX:886.2.26580166
E-MAIL :info@tb-speaker.com