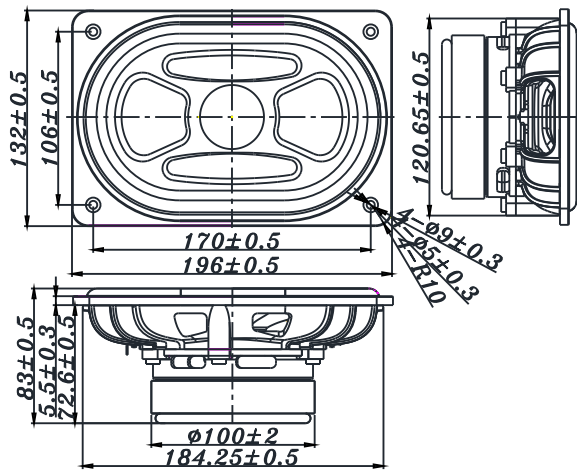


# SU SERIES

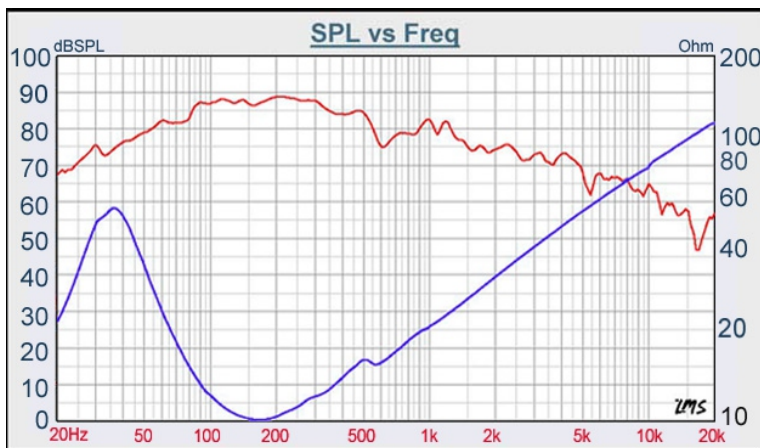
# W57-1781



- 5\*7" OF OVAL SHAPE SUBWOOFER DESIGN
- BLACK COLOR PPM CONE WITH WIDE RANGE TEMPERATURE OF RUBBER SURROUND
- NYLON+GF COMPOSITE MATERIAL OF BASKET
- STRUCTURED PPM CONE
- LOW QTS, VENTED POLE PIECE
- GOOD FOR SUBWOOFER OF HOME THEATER, HI-FI, CAR, MULTI-MEDIA APPLICATION
- THE OTHER OPTION FOR SPEAKER BOX OUTLOOK DESIGN

## 5\*7" PPM SUBWOOFER

DIAPHRAGM MTL	Black PPM
SURROUND MTL	Rubber
NOMINAL IMPEDANCE	8 Ω
DCR IMPEDANCE	7.2 Ω
SENSITIVITY 1W/1m	87 dB
FREQUENCY RESPONSE	40-500 Hz
FREE AIR RESONANCE	40 Hz
VOICE COIL DIAMETER	38.5mm
AIR GAP HEIGHT	6 mm
RATED POWER INPUT	50 W
MAXIMUM POWER INPUT	100 W
FORCE FACTOR, BL	10.35 T M
TYPE OF MAGNET	Ferrite
MOVING MASS	19.96 g
FERROFLUID ENHANCED	No
SUSPENSION COMPLIANCE	974.862 $\mu\text{MN}^{-1}$
EFFECTIVE PISTON AREA	0.014 $\text{M}^2$
Levc	0.384 mH
Zo	58 Ω
X-max	3.0 mm
Vas	25.98 Litr
Qts	0.27
Qms	2.12
Qes	0.30



# TB SPEAKERS

VOICE 886.2.26570282 FAX 886.2.26580166  
E-MAIL: info@tb-speaker.com