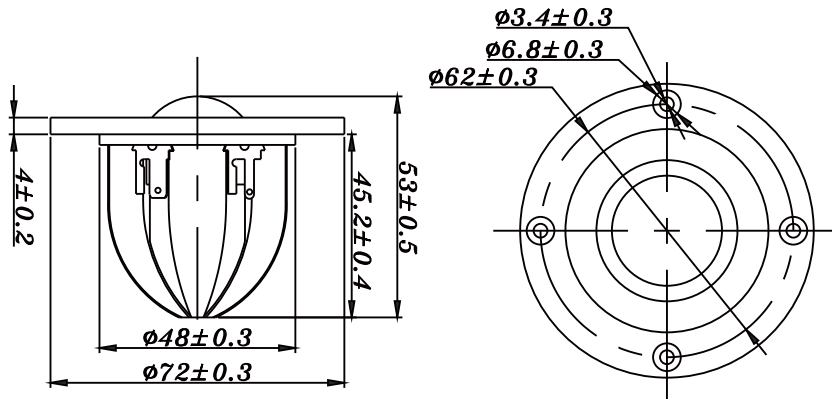


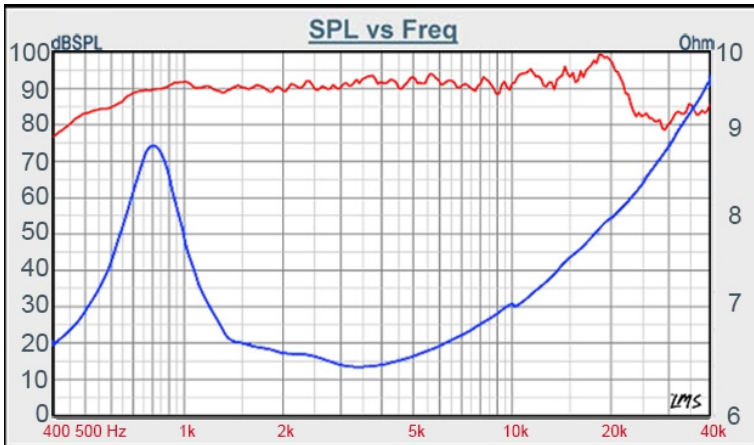
# TW SERIES

# 28-847SI



- SOFT FABRIC DOME DIAPHRAGM COATING WITH HIGH LOSS MATERIAL
- FERROFLUID COOLED
- DAMP WOOL IN CAVITY OF POLE PIECE
- NYLON (15% GF) FRONT PANEL & BACK CHAMBER
- MAGNETICALLY SHIELDED
- BACK CHAMBER DESIGN

## 28mm FABRIC DOME



DIAPHRAGM MTL	Fabric
SURROUND MTL	N/A
NOMINAL IMPEDANCE	8 Ω
DCR IMPEDANCE	6 Ω
SENSITIVITY 1W/1m	90 dB
FREQUENCY RESPONSE	800-20K Hz
FREE AIR RESONANCE	800 Hz
VOICE COIL DIAMETER	28 mm
AIR GAP HEIGHT	2 mm
RATED POWER INPUT	12 W
MAXIMUM POWER INPUT	100 W
FORCE FACTOR, BL	N/A
TYPE OF MAGNET	Neodymium
MOVING MASS	N/A
FERROFLUID ENHANCED	Yes
SUSPENSION COMPLIANCE	N/A
EFFECTIVE PISTON AREA	N/A
Levc	0.009 mH
Zo	N/A
X-max	N/A
Vas	N/A
Qts	N/A
Qms	N/A
Qes	N/A

# TB SPEAKERS

P.O. BOX 10-53 NEI HU, TAIPEI, TAIWAN  
 VOICE: 886.2.26570282 FAX: 886.2.26580166