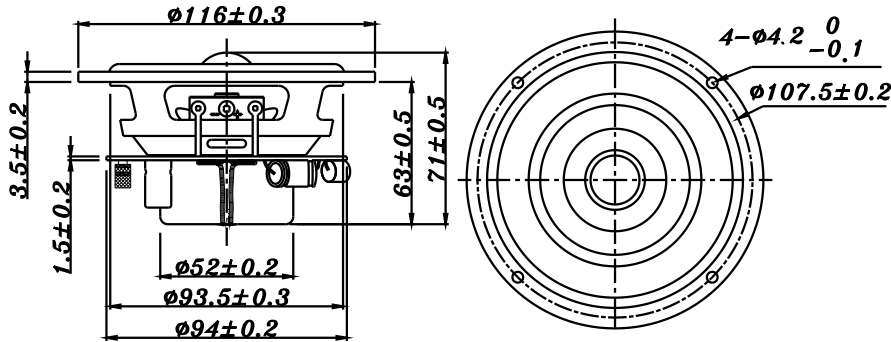


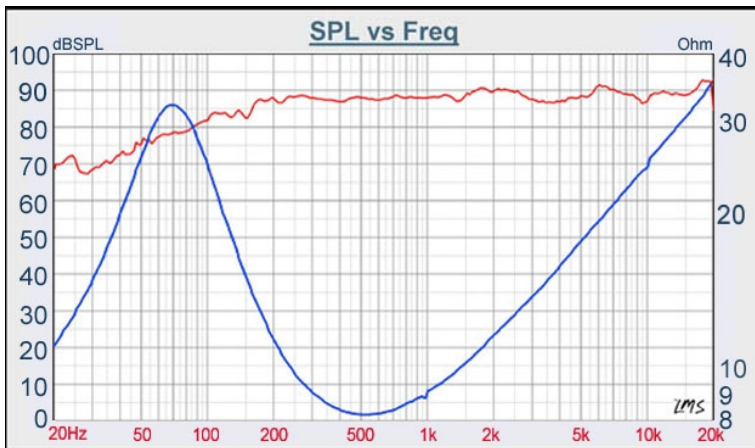
# F SERIES

# W4-937SF



- WOOFER : PAPER CONE WITH RUBBER SURROUND
- TWEETER : 20MM SILK DOME TWEETER
- STAMPED STEEL BASKET
- NEODYMIUM MAGNET SYSTEM
- MAGNETICALLY SHIELDED
- LONG THROW DESIGN (Xmax=4.5mm)
- CROSSOVER NETWORK BUILD-IN DRIVER

## 4" COAXIAL FULL RANGE



DIAPHRAGM MTL	Paper
SURROUND MTL	Rubber
NOMINAL IMPEDANCE	8 Ω
DCR IMPEDANCE	6.8 Ω
SENSITIVITY 1W/1m	88 dB
FREQUENCY RESPONSE	65 - 20 K Hz
FREE AIR RESONANCE	65 Hz
VOICE COIL DIAMETER	32 mm
AIR GAP HEIGHT	6 mm
RATED POWER INPUT	25 W
MAXIMUM POWER INPUT	50 W
FORCE FACTOR, BL	6.68 TM
TYPE OF MAGNET	Neodymium
MOVING MASS	4.92 g
FERROFLUID ENHANCED	No
SUSPENSION COMPLIANCE	1052 μMN <sup>-1</sup>
EFFECTIVE PISTON AREA	0.0057 M <sup>2</sup>
Levc	0.49 mH
Zo	31.90 Ω
X-max	4.5 mm
Vas	4.86 Litr
Qts	0.26
Qms	1.22
Qes	0.33



VOICE:886.2.26570282 FAX:886.2.26580166  
E-MAIL :info@tb-speaker.com