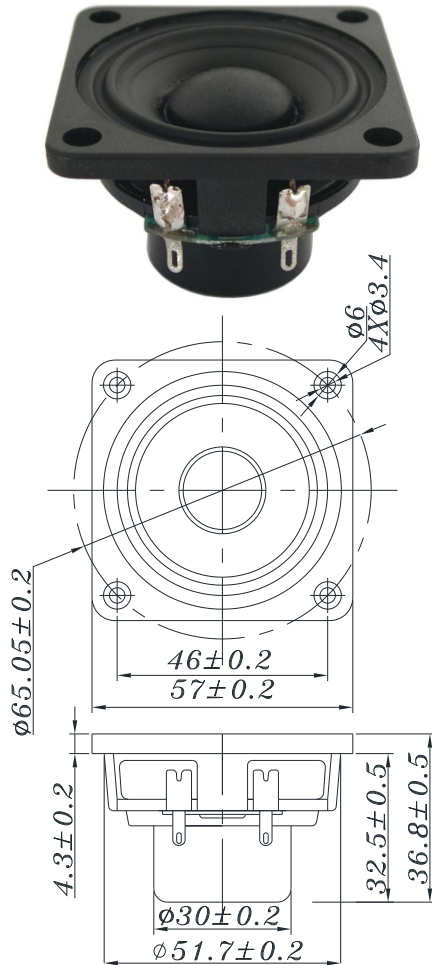


W2-1537SD

2" 紙盆 內磁式 全音域喇叭

Datasheet



DIAPHRAGM MTL	PP
SURROUND MTL	TPR
NOMINAL IMPEDANCE	4 Ω
SENSITIVITY 1W/1m	79 dB
FREQUENCY RESPONSE	140 - 20 K Hz
FREE AIR RESONANCE	140 Hz
VOICE COIL DIAMETER	20.40 mm
AIR GAP HEIGHT	7 mm
RATED POWER INPUT	8 W
MAXIMUM POWER INPUT	16 W
X-max	1.25 mm

TB speaker