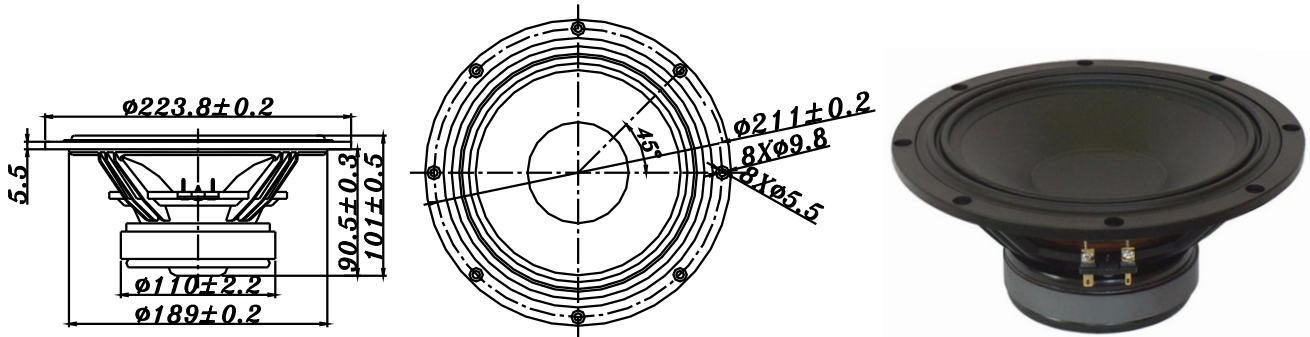


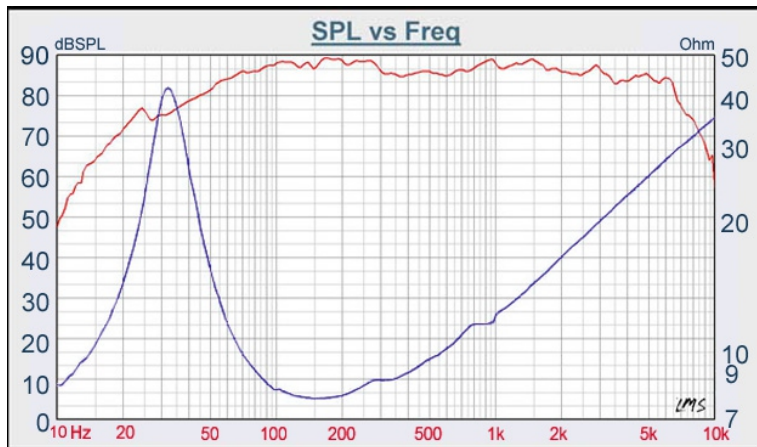
# PM SERIES

# W8-750C



- TWIN ROLL RUBBER SURROUND, WIDE RANGE TEMPERATURE, STABLE FO
- EXTREMELY LINEAR EXCURSION DESIGN
- MIDBASS DESIGN
- GF REINFORCED NYLON BASKET
- INTENDED FOR BASS REFLEX ENCLOSURES
- VENTED POLE PIECE

## 8" PPM WOOFER



DIAPHRAGM MTL	PPM
SURROUND MTL	Rubber
NOMINAL IMPEDANCE	8 Ω
DCR IMPEDANCE	6 Ω
SENSITIVITY 1W/1m	87 dB
FREQUENCY RESPONSE	30-6K Hz
FREE AIR RESONANCE	30 Hz
VOICE COIL DIAMETER	38.5 mm
AIR GAP HEIGHT	8 mm
RATED POWER INPUT	60 W
MAXIMUM POWER INPUT	120 W
FORCE FACTOR, BL	8.40 TM
TYPE OF MAGNET	Ferrite
MOVING MASS	28.81 g
FERROFLUID ENHANCED	No
SUSPENSION COMPLIANCE	829.943 μMN <sup>-1</sup>
EFFECTIVE PISTON AREA	0.022 M <sup>2</sup>
Levc	0.23 mH
Zo	42.5 Ω
X-max	3.9 mm
Vas	57.04 Litr
Qts	0.43
Qms	3.01
Qes	0.50



VOICE:886.2.26570282 FAX:886.2.26580166  
E-MAIL :info@tb-speaker.com