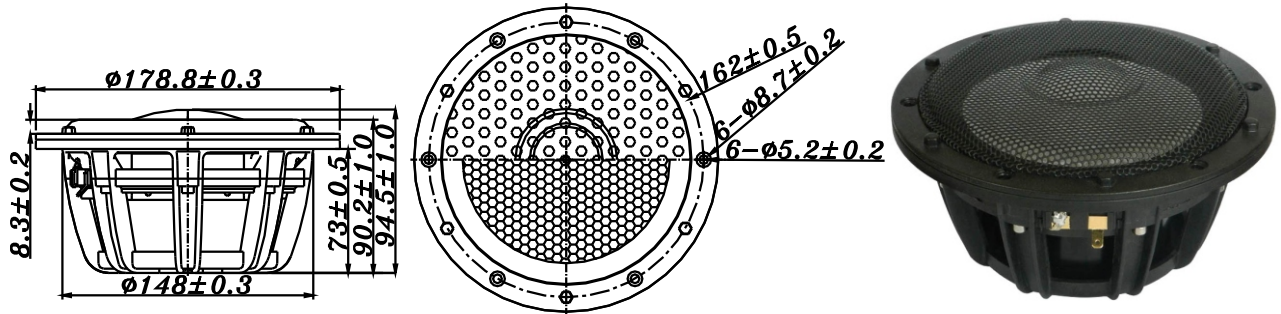


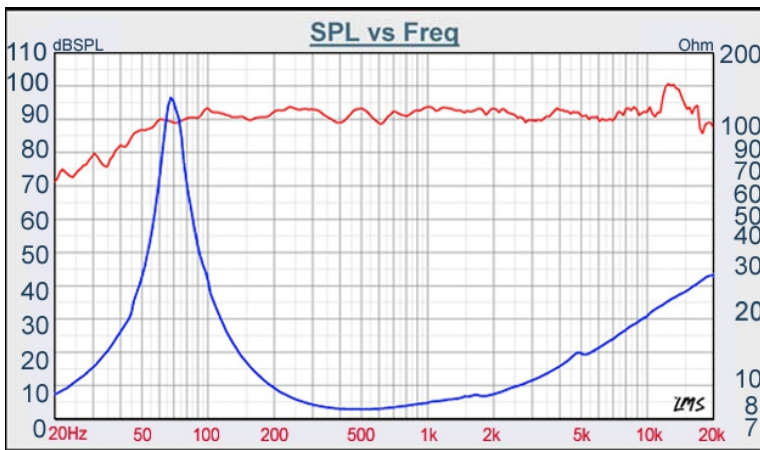
**M** SERIES

**W6-1914SB**



- 6.5 INCH OF MIDRANGE FREQUENCY DESIGN
- WIDE DISPERSION PERFORMANCE
- SANDWICH PAPER CONE
- NEODYMIUM MAGNET SYSTEM
- LOW 2<sup>nd</sup> AND 3<sup>rd</sup> DISTORTION
- IT'S GOOD FOR MID-RANGE APPLICATION

**6.5" SANDWICH MID RANGE**



DIAPHRAGM MTL	Sandwich
SURROUND MTL	Foam Rubber
NOMINAL IMPEDANCE	8 Ω
DCR IMPEDANCE	6.5 Ω
SENSITIVITY 1W/1M	91 dB
FREQUENCY RESPONSE	70-15K Hz
FREE AIR RESONANCE	70 Hz
VOICE COIL DIAMETER	66.5 mm
AIR GAP HEIGHT	6 mm
RATED POWER INPUT	45 W
MAXIMUM POWER INPUT	90 W
FORCE FACTOR, BL	10.23 TM
MAGNET WEIGHT	Neodymium
MOVING MASS	13.97 g
FERROFLUID ENHANCED	No
SUSPENSION COMPLIANCE	399.15 μMN <sup>-1</sup>
EFFECTIVE PISTON AREA	0.014 M <sup>2</sup>
Levc	0.073 mH
Zo	140 ohm
Xmax	0.5 mm
Vas	11.11 Litr
Qts	0.35
Qms	7.19
Qes	0.37



VOICE: 886.2.26570282 FAX: 886.2.26580166  
E-MAIL: info@tb-speaker.com