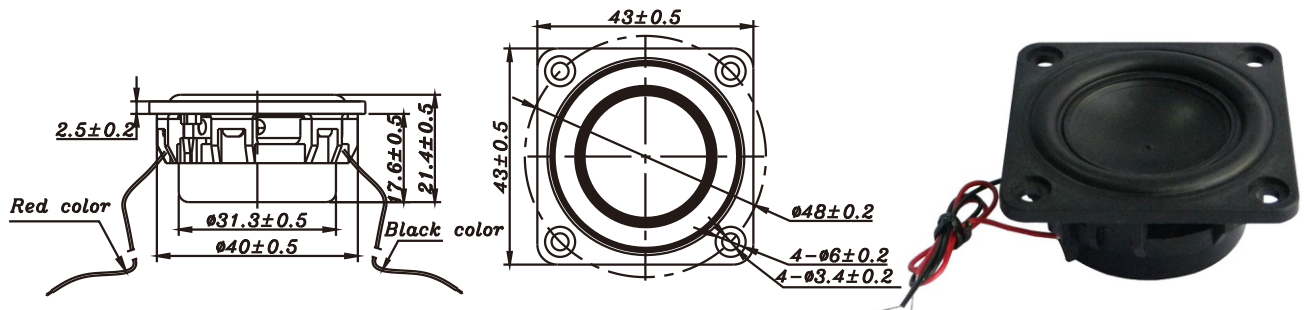


F SERIES

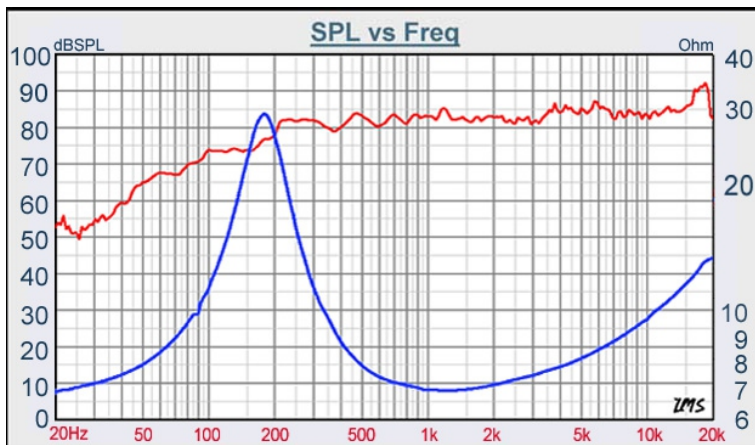
W1-1070SH



- FULL RANGE DESIGN
- COMPOSITE MATERIAL BASKET
- EXCELLENT CONSISTENCY AND WEATHERABILITY, WATERPROOF PERFORMANCE
- INVERTED ALUMINUM DIAPHRAGM WITH TPE SURROUND
- NEODYMIUM MAGNET DESIGN
- GOOD FOR MULTIMEDIA, BLUETOOTH PORTABLE SPEAKER APPLICATION

1" REVERSE ALUM. FULL RANGE

DIAPHRAGM MTL	Reverse Alum.
SURROUND MTL	Santoprene
NOMINAL IMPEDANCE	8 Ω
DCR IMPEDANCE	6 Ω
SENSITIVITY 1W/1m	81 dB
FREQUENCY RESPONSE	180 - 20 KHz
FREE AIR RESONANCE	180 Hz
VOICE COIL DIAMETER	25.4 mm
AIR GAP HEIGHT	1.5 mm
RATED POWER INPUT	4 W
MAXIMUM POWER INPUT	8 W
FORCE FACTOR, BL	3.24 TM
TYPE OF MAGNET	Neodymium
MOVING MASS	0.87 g
FERROFLUID ENHANCED	YES
SUSPENSION COMPLIANCE	914.79 μMN^{-1}
EFFECTIVE PISTON AREA	0.00085 M^2
Levc	0.030 mH
Zo	32 Ω
X-max	2.00 mm
Vas	0.09 Liter
Qts	0.42
Qms	2.22
Qes	0.52



TB SPEAKERS

VOICE: 886.2.26570282 FAX: 886.2.26580166
E-MAIL: info@tb-speaker.com