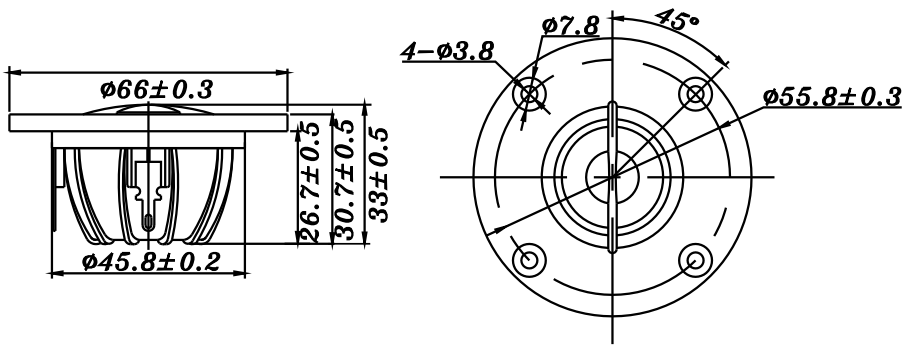


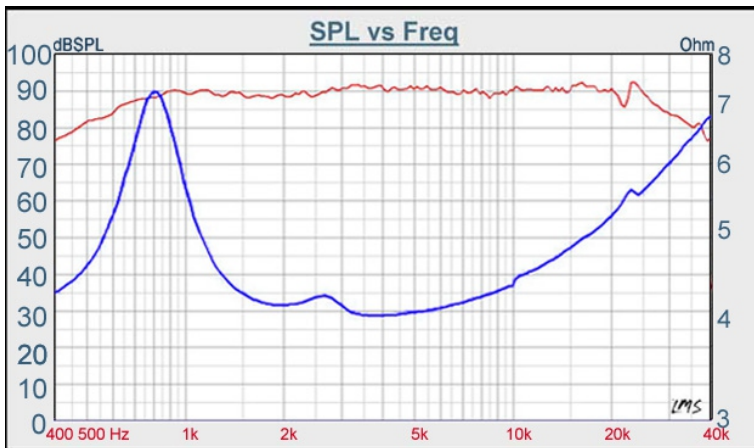
TW SERIES

25-1414SC



- TITANIUM DOME DIAPHRAGM WITH FABRIC SURROUND
- FERROFLUID COOLED
- ABS FRONT PANEL WITH EQUALIZER
- NEODYMIUM DESIGN WITH BACK CHAMBER

1" TITANIUM DOME / NEODYMIUM TWEETER



DIAPHRAGM MTL	Titanium
SURROUND MTL	N/A
NOMINAL IMPEDANCE	4 Ω
DCR IMPEDANCE	3 Ω
SENSITIVITY 1W/1m	90 dB
FREQUENCY RESPONSE	800 -20K Hz
FREE AIR RESONANCE	800 Hz
VOICE COIL DIAMETER	25.4 mm
AIR GAP HEIGHT	2 mm
RATED POWER INPUT	8 W
MAXIMUM POWER INPUT	80 W
FORCE FACTOR, BL	N/A
TYPE OF MAGNET	Neodymium
MOVING MASS	N/A
FERROFLUID ENHANCED	Yes
SUSPENSION COMPLIANCE	N/A
EFFECTIVE PISTON AREA	N/A
Levc	0.008 mH
Zo	7 Ω
X-max	0.28 mm
Vas	N/A
Qts	0.78
Qms	1.89
Qes	1.34

TB SPEAKERS

VOICE: 886.2.26570282 FAX: 886.2.26580166
E-MAIL: info@tb-speaker.com