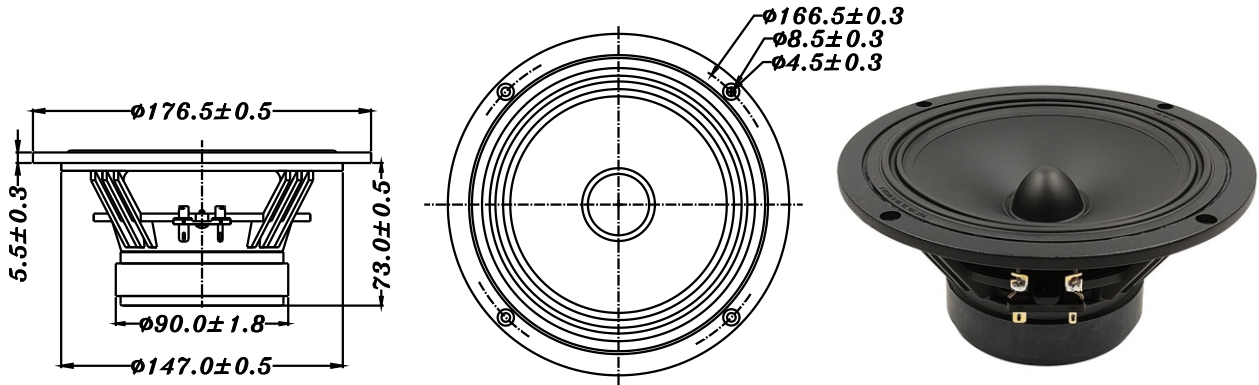


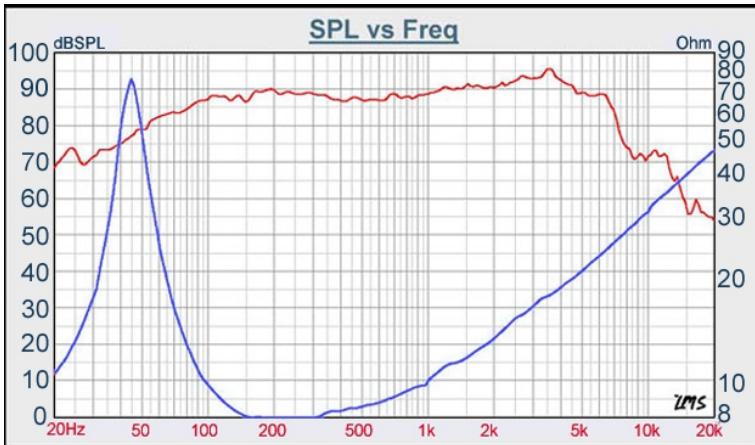
# PA SERIES

# W6-623I



- HIGH LINEARITY AND BALANCED EXCURSION DESIGN
- DIE CAST BASKET
- PAPER CONE WITH PATENTED RUBBER SURROUND
- CONEX SPIDER
- CCAW VOICE COIL WIRE
- INTENDED FOR MID-RANGE
- VENTED POLE PIECE

## 6.5" PAPER WOOFER



DIAPHRAGM MTL	Paper
SURROUND MTL	W shape rubber
NOMINAL IMPEDANCE	8 Ω
DCR IMPEDANCE	6 Ω
SENSITIVITY 1W/1m	89 dB
FREQUENCY RESPONSE	46 - 5K Hz
FREE AIR RESONANCE	46 Hz
VOICE COIL DIAMETER	25.4 mm
AIR GAP HEIGHT	6 mm
RATED POWER INPUT	30 W
MAXIMUM POWER INPUT	60 W
FORCE FACTOR, BL	6.70 TM
TYPE OF MAGNET	Ferrite
MOVING MASS	11.97 g
FERROFLUID ENHANCED	No
SUSPENSION COMPLIANCE	1071 μMN <sup>-1</sup>
EFFECTIVE PISTON AREA	0.014 M <sup>2</sup>
Levc	0.168 mH
Zo	78 Ω
X-max	4 mm
Vas	29.82 Litr
Qts	0.41
Qms	5.21
Qes	0.45

VOICE:886.2.26570282 FAX:886.2.26580166  
E-MAIL :info@tb-speaker.com