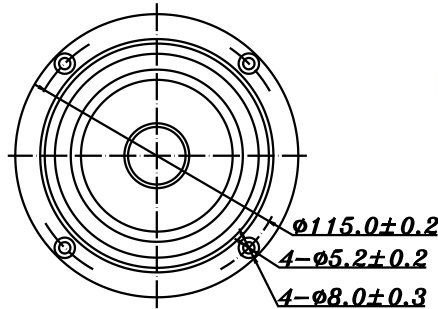
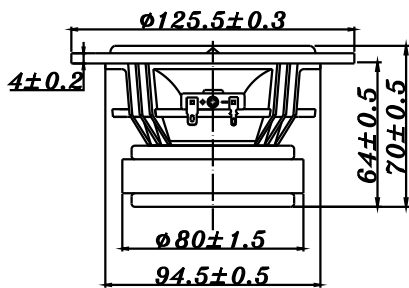


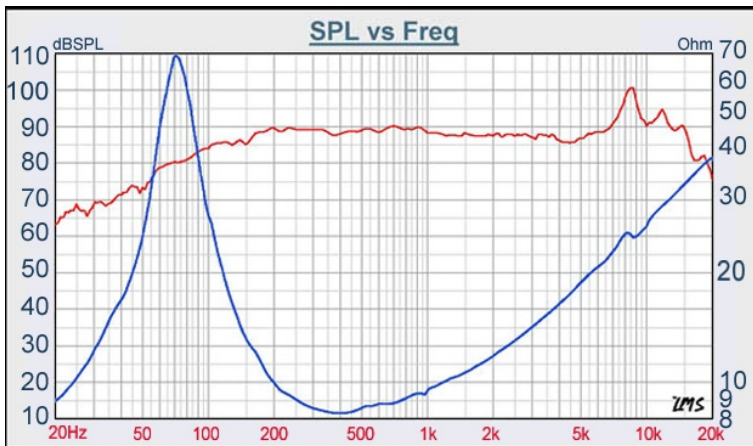
# F SERIES

# W4-657D



- FULL RANGE SPEAKER DESIGN
- HOME HI-FI, HOME THEATER, MID BASS APPLICATION
- DIE CAST BASKET
- ALUM/MG CONE WITH RUBBER SURROUND
- CCAW WITH KAPTION BOBBIN
- ALUM PHASE PLUG

## 4" ALUM MG CONE/ FULL RANGE, WOOFER



DIAPHRAGM MTL	Alum/Mg
SURROUND MTL	Rubber
NOMINAL IMPEDANCE	8 Ω
DCR IMPEDANCE	6 Ω
SENSITIVITY 1W/1m	89 dB
FREQUENCY RESPONSE	70 - 16k Hz
FREE AIR RESONANCE	70 Hz
VOICE COIL DIAMETER	25.4 mm
AIR GAP HEIGHT	6 mm
RATED POWER INPUT	25 W
MAXIMUM POWER INPUT	50 W
FORCE FACTOR, BL	5.61 TM
TYPE OF MAGNET	Ferrite
MOVING MASS	4.00 g
FERROFLUID ENHANCED	No
SUSPENSION COMPLIANCE	1216 MN <sup>-1</sup>
EFFECTIVE PISTON AREA	0.0057 M <sup>2</sup>
Levc	0.125 mH
Zo	69 ohm
X-max	3.30 mm
Vas	5.61 Litr
Qts	0.32
Qms	3.64
Qes	0.35



VOICE:886.2.26570282 FAX:886.2.26580166  
E-MAIL :info@tb-speaker.com